



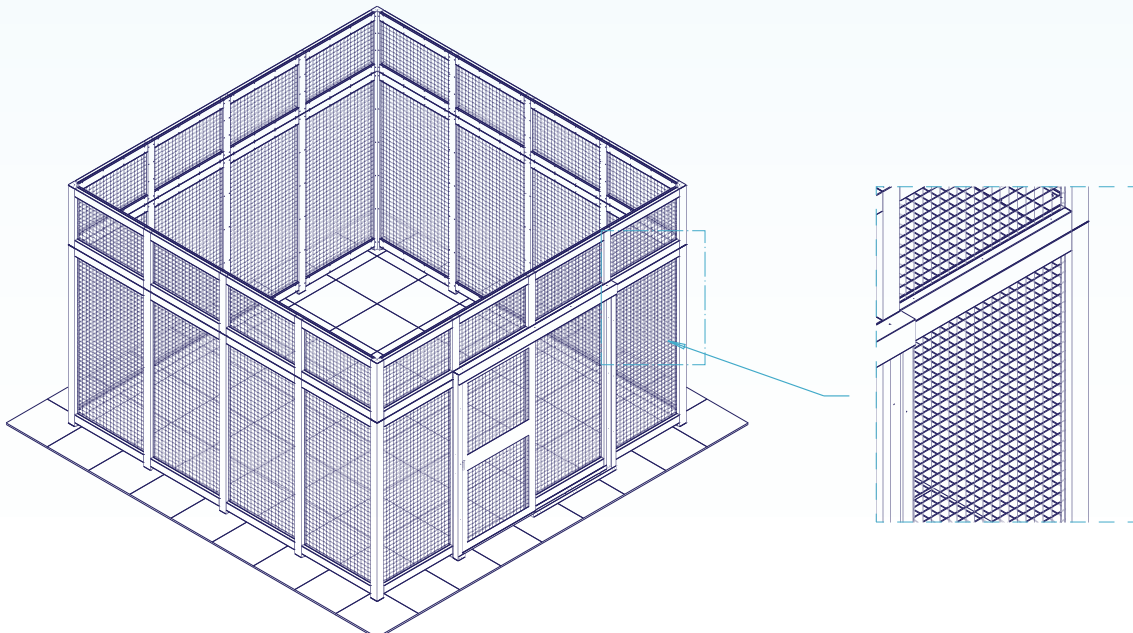
Serving Controlled Environments Worldwide

Co-Location and Security Caging Solutions

As more facilities and colocations house multiple computer network servers in data centres, it's important to limit access to each company's equipment. Providing ample security as well as not interfering with ventilation to the equipment is important. Data Clean's new high-security steel panels are an ideal solution. Their steel panels with punched-pattern holes provides ultimate security while allowing critical air to access the critical servers and the hot air to flow up and out of the enclosed area. Unlike chain-link fence cages that have openings large enough for a hand to penetrate that also allows visual access, the punch-pattern panels limit visual access as well as hands that might try to sabotage your precious data or applications. The tight mesh-like punch holes also help contain the cold air in the enclosure while the larger holes at the top allow the hot air to vent out to return to the CRAC equipment.

Benefits and features of Data Clean's new high-security cages:

- Enhanced security to prevent access between companies equipment in mixed-customer environments
- Limits visual access to valuable intellectual property and server design
- Provides air containment and controls airflow for raised floor cooling environments
- Underfloor fencing prevents crawling under but allows unrestricted airflow
- Eliminates sabotage attempts to high-security servers and systems
- Deters or eliminates possibly damaging high frequency noise or unwanted electrical signals by creating Faraday cage. Proper grounding required.
- Flexible configuration an designed to fit any application or environment and easily reconfigured if needs change. **All this at modular prices.**

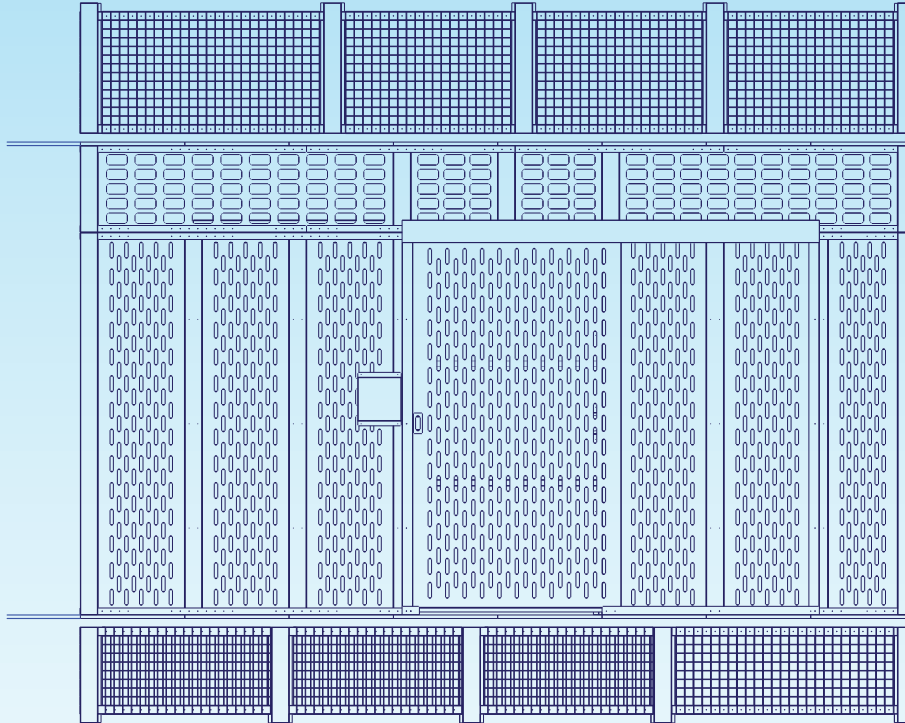


Sliding Doors Access

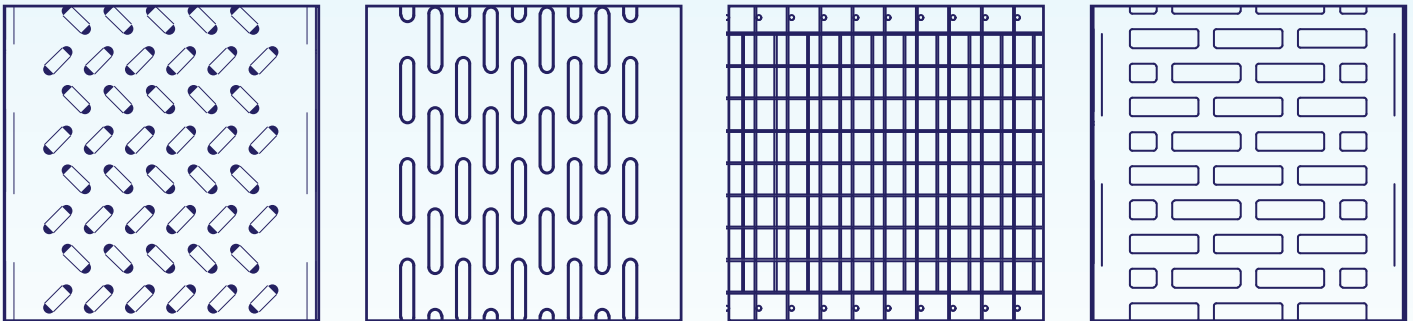
Self closing doors require no external power source. Counter balanced weight and pulley system closes and locks upon release.

Security

Alarms and BMS connections also available as well as in-cage CCTV cameras let you know each and every time someone has accessed your security cage.



Available Patterns



Cages Provide Greater Security and Privacy!

Another great product and service by Data Clean Asia!



Serving Controlled Environments Worldwide

246 Macpherson Road #05-02 Betime Building Singapore 348578

Tel: (65) 6748 5377 Website: <http://www.datacleanasia.com>

