

ATISLELOK®

Upsite Technologies Magnetic Under Rack Panel

Part Number

10226	26" (660mm) Magnetic Under Rack Panel
10227	33.5" (851mm) Magnetic Under Rack Panel



The AisleLok® Magnetic Under Rack Panel is a quick and easy way to improve airflow management and may immediately improve IT equipment intake air temperature. Its revolutionary sealing technology was re-designed to allow easy modifications for an improved seal on even large and unique openings found under many of today's racks. It complements and enhances the performance of existing blanking panels by either blocking bypass airflow or exhaust air recirculation to support cooling system efficiencies of the data center.

Easily and quickly remove excess material for a custom height using the pre-scored lines on the back of the Under Rack Panel—without tools. The panel attaches magnetically for easy application and relocation. The AisleLok Magnetic Under Rack Panel comes in two sizes: 26" (660mm) for rack width surfaces up to 24"W (610mm) and 33.5" (851mm) for rack width surfaces up to 31.5"W (800mm).

The new AisleLok Magnetic Under Rack Panel will improve airflow management and help you recover stranded capacity. These panels are a cost effective way of reducing IT equipment hot spots, cooling unit inefficiencies, and infrastructure costs. Sealing the space under racks with the Magnetic Under Rack Panel is an essential aspect of airflow management best practices.

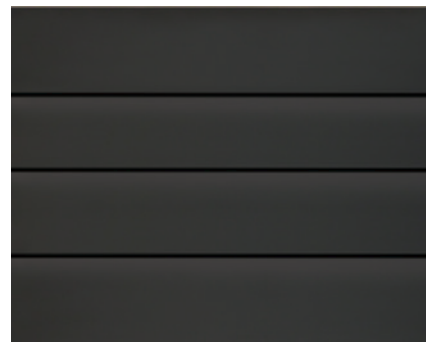
Features

- Available in two widths; 26" (660mm) and 33.5" (851mm)
- Prescored at 1-inch increments
- Magnetic application
- Rigid PVC material with UL94 HB
- Economical solution

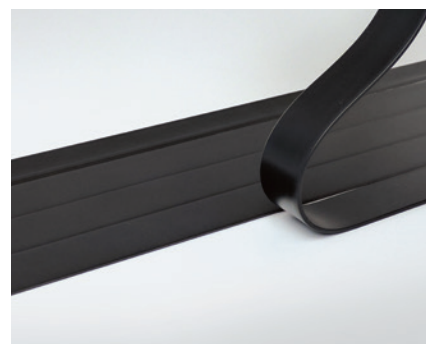
Compliant with directive 2002/95/EC of the European Parliament and the Council on the Restrictions of the Use of Certain hazardous substances in Electrical and Electrical Equipment (RoHS).

Benefits

- Easily install, remove, and relocate with magnetic application
- Toolless installation and height adjustment reduces overall install time
- Effective seal blocks bypass airflow and or exhaust recirculation and resulting hotspots
- Improves IT equipment reliability and extends equipment life
- Supports cooling unit fan speed reduction
- Supports higher supply air temperatures and free cooling utilization



Pre-scored lines on the back of the panel



Removal of excess material on the pre-scored line

Specifications

Part Number	Description	Dimensions	Quantity per Carton	Shipping Weight
10226	26" Magnetic Under Rack Panel	26" x 4.75" x .06" (660 mm x 121 mm x 1.5 mm)	10	7 lbs.
10227	33.5" Magnetic Under Rack Panel	33.5" x 4.75" x .06" (851 mm x 121 mm x 1.5 mm)	10	8 lbs.

Sealing Effectiveness

Patented design is a more effective method of sealing airflow under the rack than using comparable brushes or fill materials.

Magnetic Under Rack Panel

The Magnetic Under Rack Panel is made from .06" (1.5 mm) Durable PVC

Finish: Black

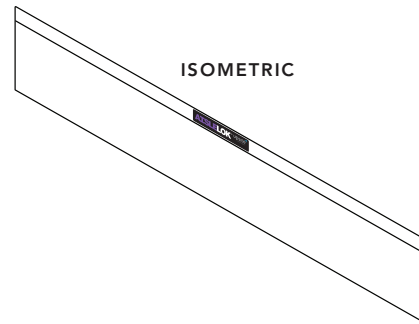
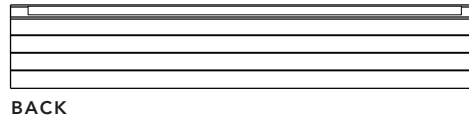
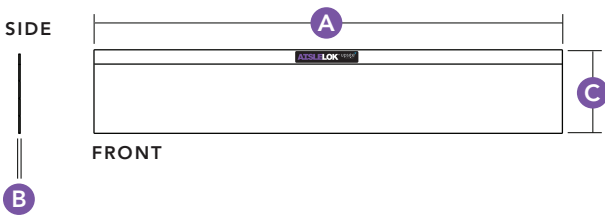
Flammability Rating: UL94 HB

Magnetic Under Rack Mounting System

Custom mounting kit consisting of:

Single-sided magnetic adhesive backing pre-attached to the Rigid PVC Mounting Frame

Product Drawings



Dimensions

Part No.	A	B	C
10226	26" (660 mm)	.06" (1.5 mm)	4.75" (121 mm)
10227	33.5" (851 mm)	.06" (1.5 mm)	4.75" (121 mm)



Designer and Manufacturer

888.982.7800

www.upsite.com