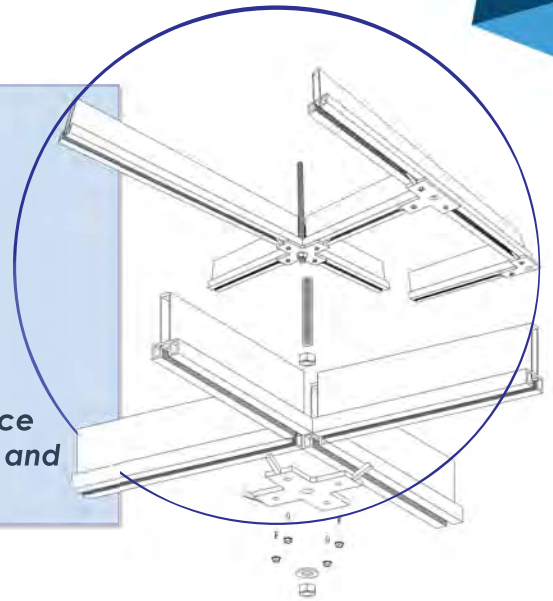


The Polargy Integrated Ceiling System

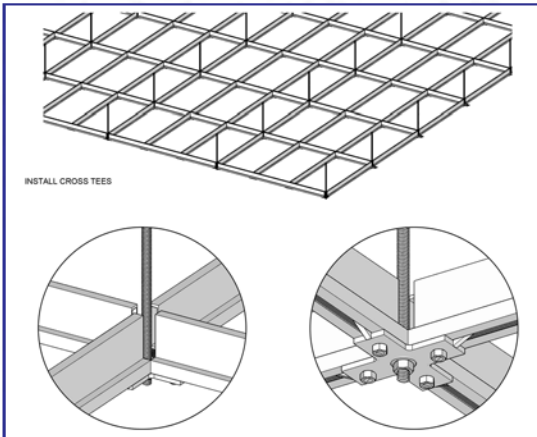
The Aluminium Structural Grid System for Data Centers

Polargy Integrated Ceiling System The PICSTM structural ceiling is an ideal solution for integrating the structural support for the data center's cabling, power, containment, lighting and ceiling tiles. The System has the load carrying capacity and adaptability for making connections at any location in the ceiling. With a continuous support channel along the 2'x4' grid, a PICSTM structural ceiling provides ease and flexibility in the white space layout. And, it's simple design makes it economical and easy to install.



Product Details:

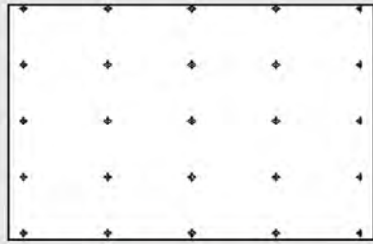
- System is supported from the building structure/roof with rods spaced at 4' x 6'.
- All extrusions have a continuous 3/8-16 thread channel for connecting and suspending at any location along the extrusion.
- Bottom connector plates join the main extrusions and provide the attachment point for 4' x 6' suspension.
- Perimeters can be fixed or floating.
- Clear anodized finish.



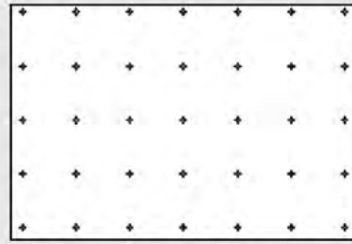
Load Specifications

Polargy PICS	4'x6' With cross members at 24"	4'x4' With or without cross members	6'x6' No cross members	8'x4' With cross members at 24"
Point Load	400 lbs	575 lbs	335 lbs	250 lbs
Uniform Load	38 psf	90 psf	27 psf	15 psf

design and manufactured by



A 12,000 square foot ceiling requires approximately 500 hangers with a 4'x6' hanger spacing.



A 12,000 square foot ceiling requires approximately 750 hangers with a 4'x4' hanger spacing.

33% fewer hangers needed with 4' X 6" versus 4' X 4'

Structural Ceiling Grid Performance

	Polargy PICS
Technical Point Load with Safety Factor of 2 over Yield	400 lbs
Technical Point Load with Safety Factor of 1 over Yield	800 lbs
Yield Point	800 lbs
Grid System Failure Point	1053 lbs
Advertised Point Load	400 lbs
Deflection at Point Load of SF=2	0.36" over 72" @400 lbs =L/200
Deflection at Yield Point	0.74" over 72" @800 bs =L/87
Rated Uniform Load	38 psf
Uniform Load at Failure	NA
Support Load of Ceiling at SF = 2	NA
Connection to Bottom Slot Load	400 lbs
Bottom Slot Failure Load	1053 lbs

